

# Podio balcony panels



For you to create



# Fundermax

[www.fundermax.com](http://www.fundermax.com)

**“Balconies are about freedom –  
which includes freedom of design.”**

(Isabelle S., project manager)







## Contents

Product information	4
Surfaces and decors	8
Application and installation	12

## **Fundermax**

From furniture and facades to interior design, Fundermax works at the interface of ideas and materials. Today the company – which has a proud history spanning 130 years – stands as a global market leader in compact boards and producer of high quality materials using wood and laminates. Our sustained success has been based on prime quality, imaginative design, diversity and sustainable production. Our products are Made in Austria and exude a love of the natural resources of wood, creativity and inventiveness.

- modern production facilities in Austria and Norway
- approx. 1,400 employees
- annual turnover of €430 million
- part of Constantia Industries AG
- Austrian Excellence Award (2018)



# 1 Product information







**“Satisfaction with the results is also a product of the material.”**

(Hannes K., architect)

## Material description

Max Compact Exterior panels are duromer high pressure laminates of type EDF according to EN 438-6; they offer effective protection from the weather thanks to double hardened acrylic polyurethane resin. The panels are produced in laminate presses, under high pressure and at high temperature.

Used as balcony flooring, the panels are high quality, CE-certified construction products with non-slip hexagonal surfaces. This makes them ideal for stairs and landings as well as balconies. The material is used for supporting structures in new buildings as well as outdoor restoration projects.

## Formats

XL = 4100.0 x 1854.0 mm = 7.6 m <sup>2</sup>
--

X2 = 2050.0 x 1854.0 mm = 3.8 m <sup>2</sup>
--

<b>NEW!</b>
-------------

Advantage:

- easier handling thanks to lower weight

GR = 2800.0 x 1300.0 mm = 3.64 m <sup>2</sup>
---

<b>NEW!</b>
-------------

Advantage:

- easy processing and adaptation at the construction site
- no sealing of edges required
- decorative underside
- minimal waste with standard balcony depth of 2500.0 mm
- ideal for balcony restoration projects

Format tolerances +10.0–0.0 mm (EN 438-6, 5.3)

Panel format is a production format. For accuracy of dimensions and angles, we recommend an all-sided blank. Depending on the method of trimming, net size is reduced by approx. 10.0 mm.

## Core

The core is available in F-Quality, flame-retardant, in colour brown.

## Thicknesses (depending on static requirement)

Thicknesses	Tolerances (EN 438-6, 5.3)
16.0 mm	±0.7 mm
18.0 mm	±0.7 mm
20.0 mm	±0.7 mm

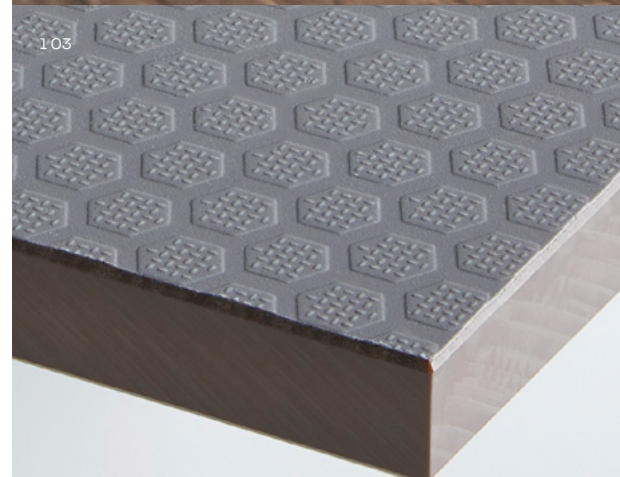
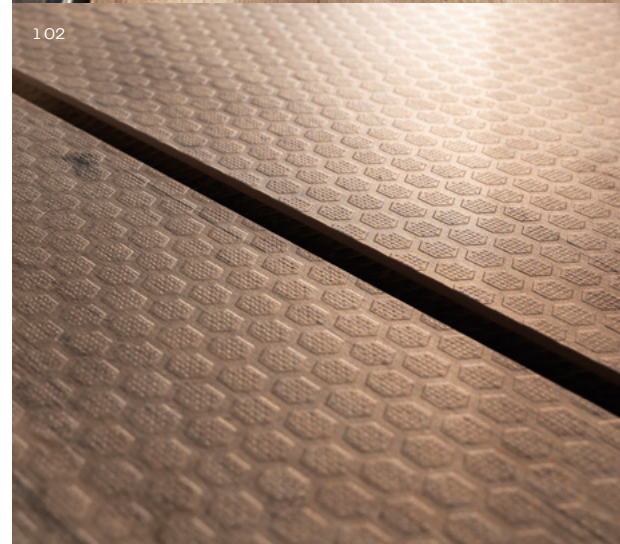
Observe local building regulations!  
For horizontal use only!

## Anti-slip classes

- R10 according to DIN 51130
- Group C according to DIN 51097

## Approval: General design certification

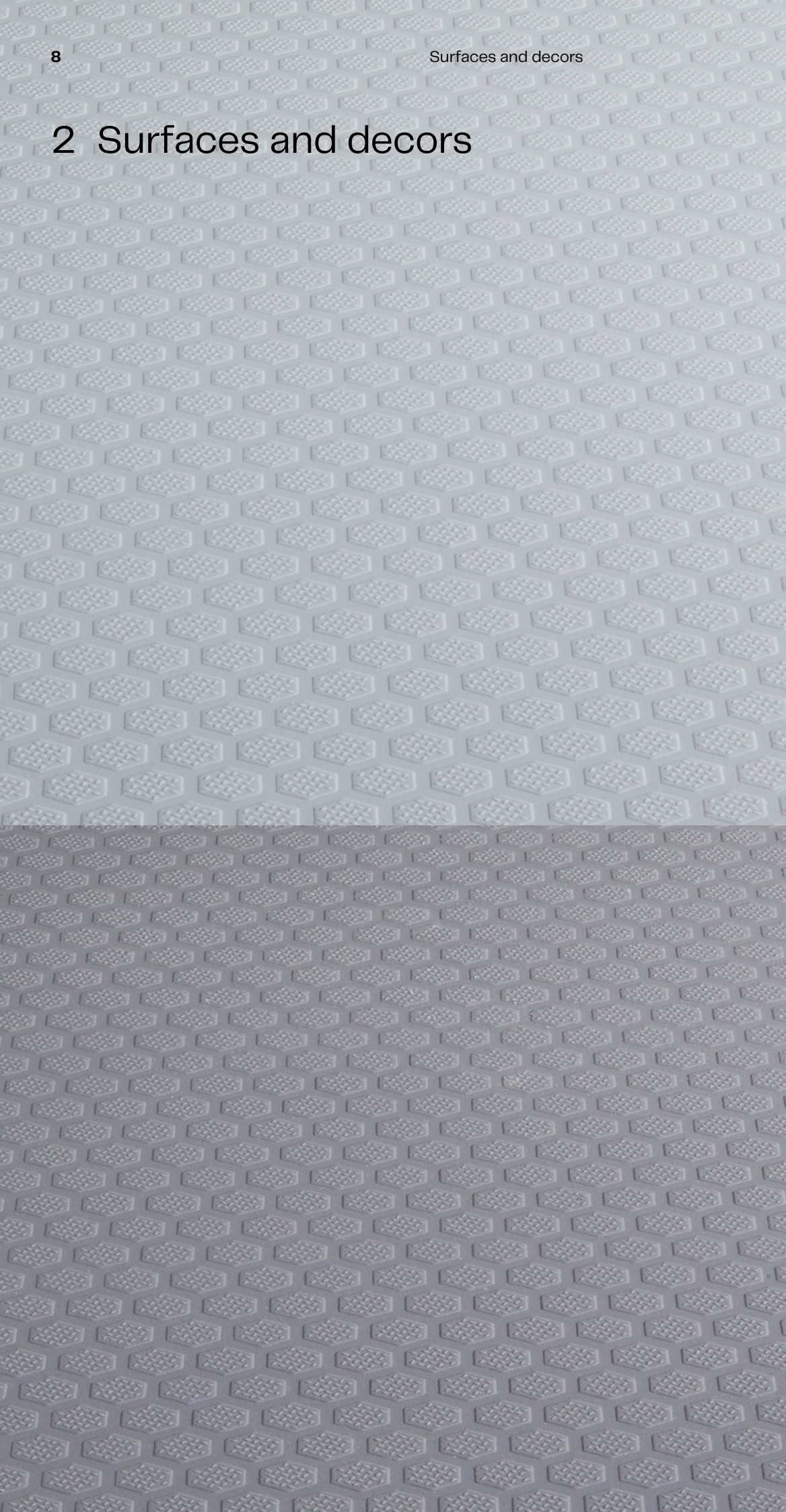
Number Z-50.4-337  
Z-50.4-337\_10-09-2021.pdf (fundermax.at)



- 1 01** Wall connection, railings
- 1 02** 5171 NH Polar Oak with 8.0 mm joint
- 1 03** 0075 NH Dark Grey



## 2 Surfaces and decors





**“The differences you can see  
and feel are what makes my  
house special.”**

(Bettina F., businesswoman)





# Surfaces

Outdoor areas especially require surfaces that not only meet high requirements in terms of safety and resistance, but are also aesthetically pleasing.

## **NH – Hexa (front side)**

- deep studded structure
- texture with good grip to prevent slipping
- offers ideal protection of decors against weathering
- for additional decor choices, see the full product range

## **NT (rear side)**

- decorative balcony underside

# Decors

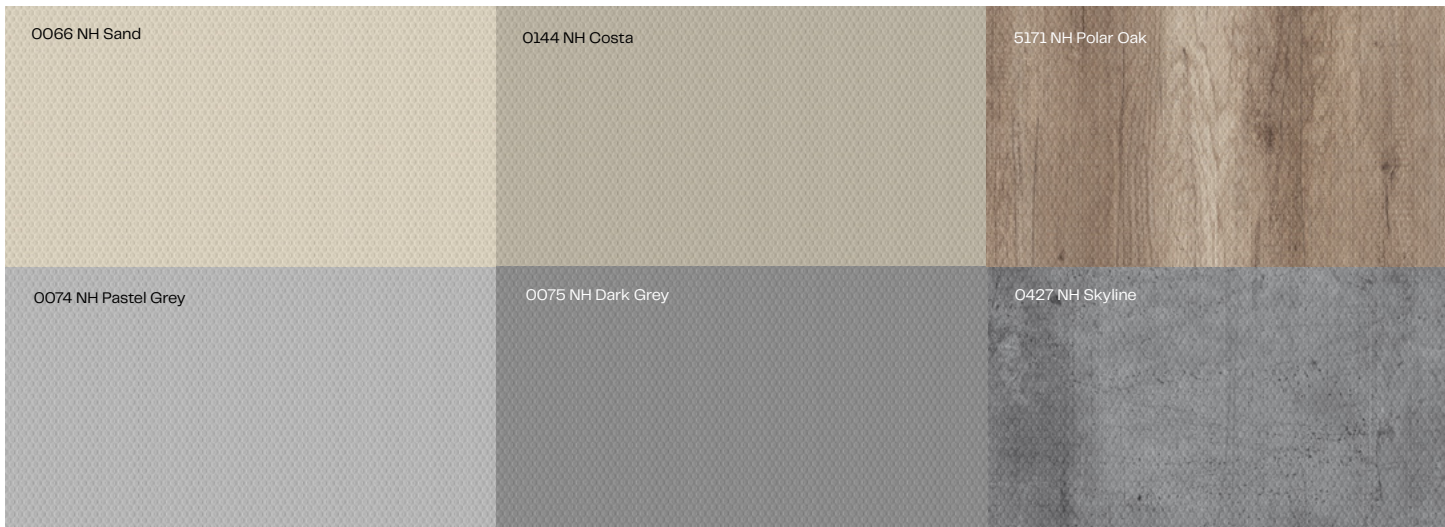
A taste of freedom, an expanded living space, a design feature and an indispensable part of modern architecture – the potential uses of a balcony are as individual as the personal tastes of those who enjoy them.

Bearing in mind the option of combining with other materials (facades, windows, balcony furniture, etc.), Fundermax offers two neutral yet trendy colour ranges.

The first, for looks inspired by nature, comprises warm tones with a feelgood vibe; the second consists of urban colours as an expression of contemporary lifestyle – the perfect accompaniment to purist decor schemes and urban modernity.







## Product range

			Product	Max Compact Exterior Podio balcony panels								
			Formats (mm)	4100.0 x 1854.0		2050.0 x 1854.0		2800.0 x 1300.0			Reverse side decor	Decor direction
			Thicknesses (mm)	16.0	18.0/20.0	16.0	18.0/20.0	16.0	18.0/20.0			
			Surface	NH, reverse side NT								
			Quality/core colour	F-Quality, brown								
Decor type	Decor no.	Decor name	Nearest NCS code/wood type									
U	0066	Sand	S 1505-Y20R	●	○	●	○	●	○	X	N	
U	0074	Pastel Grey	S 2500-N	●	○	●	○	●	○	X	N	
U	0075	Dark Grey	S 5000-N	●	○	●	○	●	○	X	N	
U	0144	Costa	S 3005-Y20R	●	○	●	○	●	○	X	N	
M	0427	Skyline		●	○	●	○	●	○	X	L	
H	5171	Polar Oak	Oak	●	○	●	○	●	○	X	L	

For more design and decor options, please see the full Exterior product range.

Delivery: Reverse side (NT) top

All decors also available with reverse side (NT) decor 0890 Balcony white.

### Delivery options

- = available in commercial quantities from stock
- = according to current delivery times

### Decor types

- U = Colour
- M = Material
- H = Nature

### Decor/decor direction

- X = Decor on both sides
- L = This decor is directional (length). Please consider this during optimisation and cutting.
- N = This decor is directionless. You can turn it during cutting.



### 3 Application and installation





**“Good materials must  
be processed properly.”**

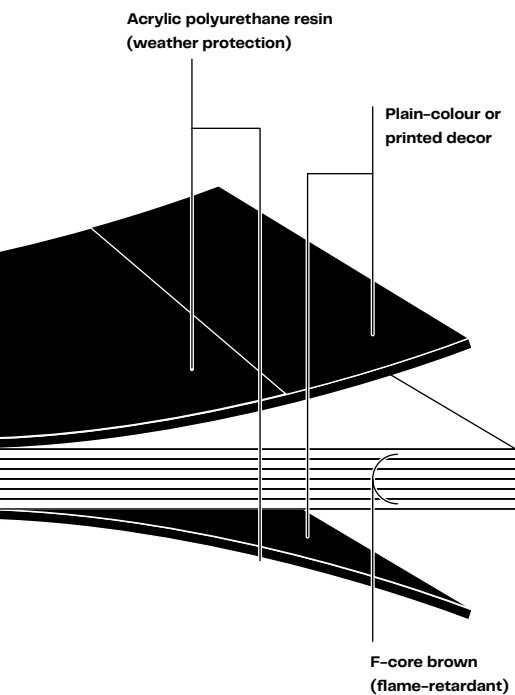
(Jonas G., processor)





# Fundamentals of handling

3 01



3 01 Structure of balcony panel

3 02 Vertical section: principle of ventilation and incline

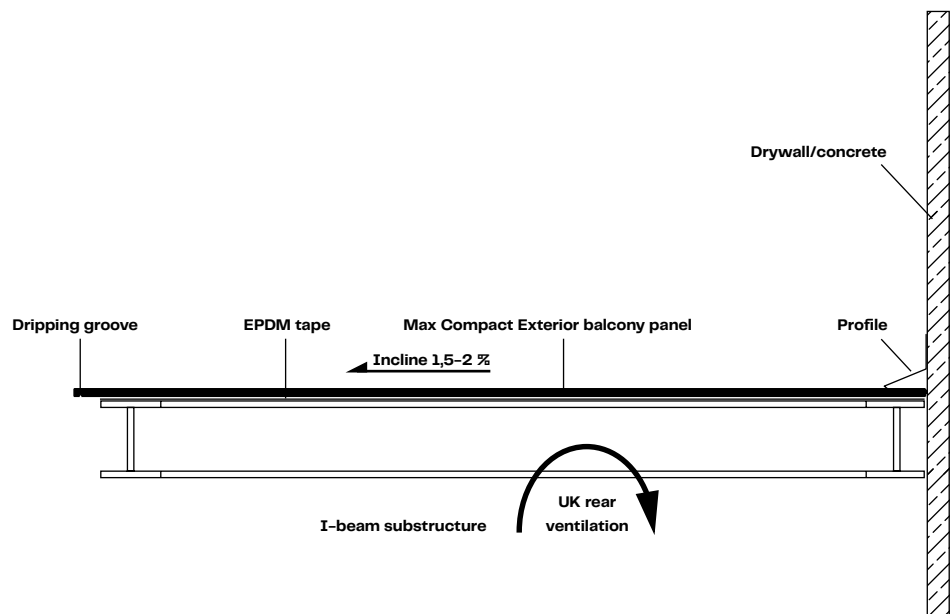
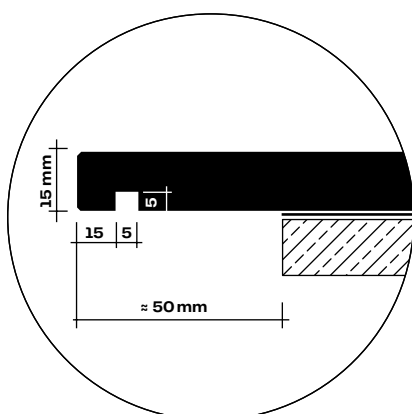
Podio balcony panels can be screwed or glued in various ways to suitable substructures, with an incline. The substrate and substructure must be sufficiently load-bearing. Ensure rear ventilation with a minimum distance of 25.0 mm from the substrate. Moisture-storing surfaces (grass, ballast, gravel, etc.) are unsuitable. Ensure sufficient drainage of the substrate.

Protect material from accumulating moisture; panels must be able to dry. Generally, balconies should be provided with an incline of  $\geq 2\%$ . Ensure sufficient expansion clearance. The joints between panels must be at least 8 mm. For substructures that run parallel to joints, the gaps between panels must be placed above a substructure, and may be held at the same height by suitable joints. Avoid elastic intermediate layers between the panel and the substructure, as well as between parts of the substructure, that allow a tolerance of more than  $\pm 0.5$  mm.

When installing panels on a wooden substructure with screws, form fixed and sliding points. Construct the wood substructure in line with national standards (wood moisture  $15\% \pm 3$ ). Pay attention to structural or chemical wood preservation.

Ensure suitable rear ventilation so that the panels can be conditioned on both sides. Do not allow the panels to rest fully on the ground below. Protect the substructure against corrosion.

3 02



# Guidelines for laying panels

## Fixing distances

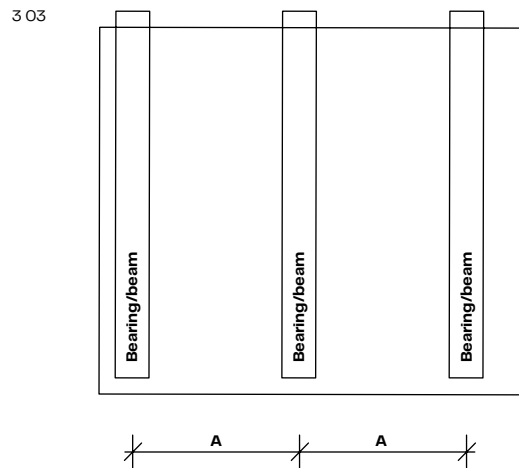
The substructure battens must have a width of  $\geq 60.0$  mm ( $\geq 80.0$  mm in the joint area). For wood substructures in the joint area, the width must be  $\geq 100.0$  mm. Distance B should be  $\leq$  distance A (bearing/beam), and never greater than 600.0 mm.

## Edge distances

For installation with screws, the edge distance can be 20.0–100.0 mm.

## Panel joints and joint formation

The joints must be at least 8.0 mm wide so that changes in size can be realised without hindrance. Fill joints with a permanently elastic sealant, and place a permanently elastic rubber band in the groove.



### Traffic load $\text{kN/m}^2$

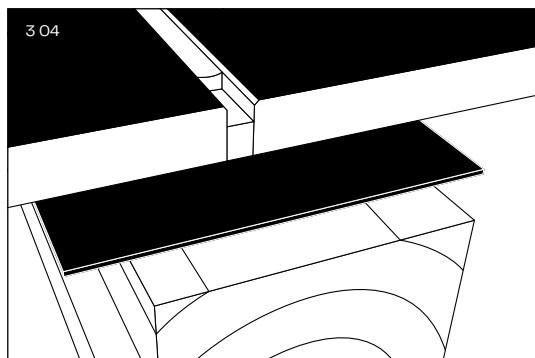
Max. allowable deflection of 1/300	Support spacing in mm		
	3.0	4.0	5.0
Panel thickness	Support spacing in mm		
<b>A <math>\leq</math> 500.0</b>			
16.0 mm	X	X	X
18.0 mm	X	X	X
20.0 mm	X	X	X
<b>A <math>\leq</math> 600.0</b>			
16.0 mm	X	X	-
18.0 mm	X	X	X
20.0 mm	X	X	X
<b>A <math>\leq</math> 800.0</b>			
20.0 mm	X	X	-

x = permissible

For applications requiring approval in Germany, observe the maximum support spacing in accordance with the general building inspectorate approval Z-50.4-377. For current permits, see [www.fundermax.at](http://www.fundermax.at).



# Installation: Mechanically fixed, not visible



## Fixed point

The fixed point allows for the equal distribution (halving) of swelling and shrinking movements. The drill hole diameter in the Max Compact Exterior panel must be approx. one flight depth lower than the screw diameter.

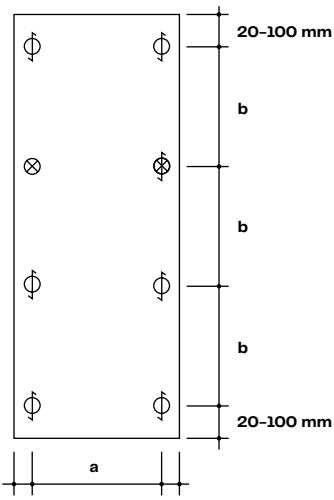
## Sliding point

The drill diameter in the substructure must be bigger than that of the mounting material, depending on the required expansion clearance. The shaft diameter of the fastening device plus 2.0 mm per metre of cladding material from the fixed-point outwards. The fastening device must be arranged so that the panels can move. Do not fasten screws too tightly. Do not use countersunk screws. The centre of the hole in the substructure must match the centre of the hole in the panel. Use drilling aids (drilling equipment). The panels should be fastened from the middle outwards.

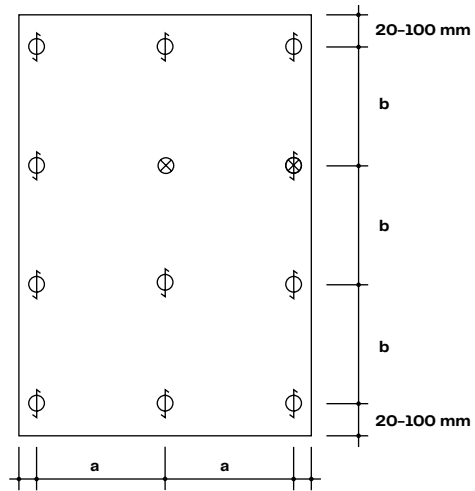
## Note

In wood substructures, pay attention to structural or chemical wood preservation. Use EPDM tape with a minimum thickness of 1.2 mm. To keep the sealing joint free from cracks, we recommend using a permanently elastic rubber band.

3 05



3 06



- ⊗ Fixed point
- ⊖ Sliding point
- ⊕ Loose point

3 07



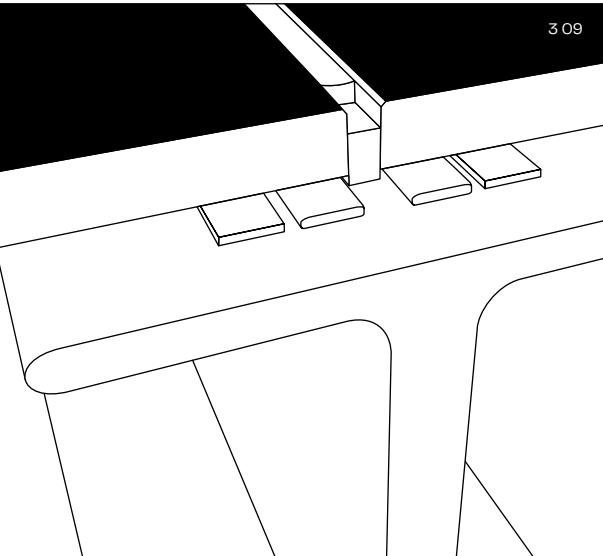
3 08



- 3 04** Balcony floor and wooden beam
- 3 05** Double span panel
- 3 06** Single span panel
- 3 07** Balcony panel, invisible fixed (screwed) on steel beam
- 3 08** Balcony panel, invisible fixed (screwed) on wooden beam



# Installation with gluing system



## Gluing

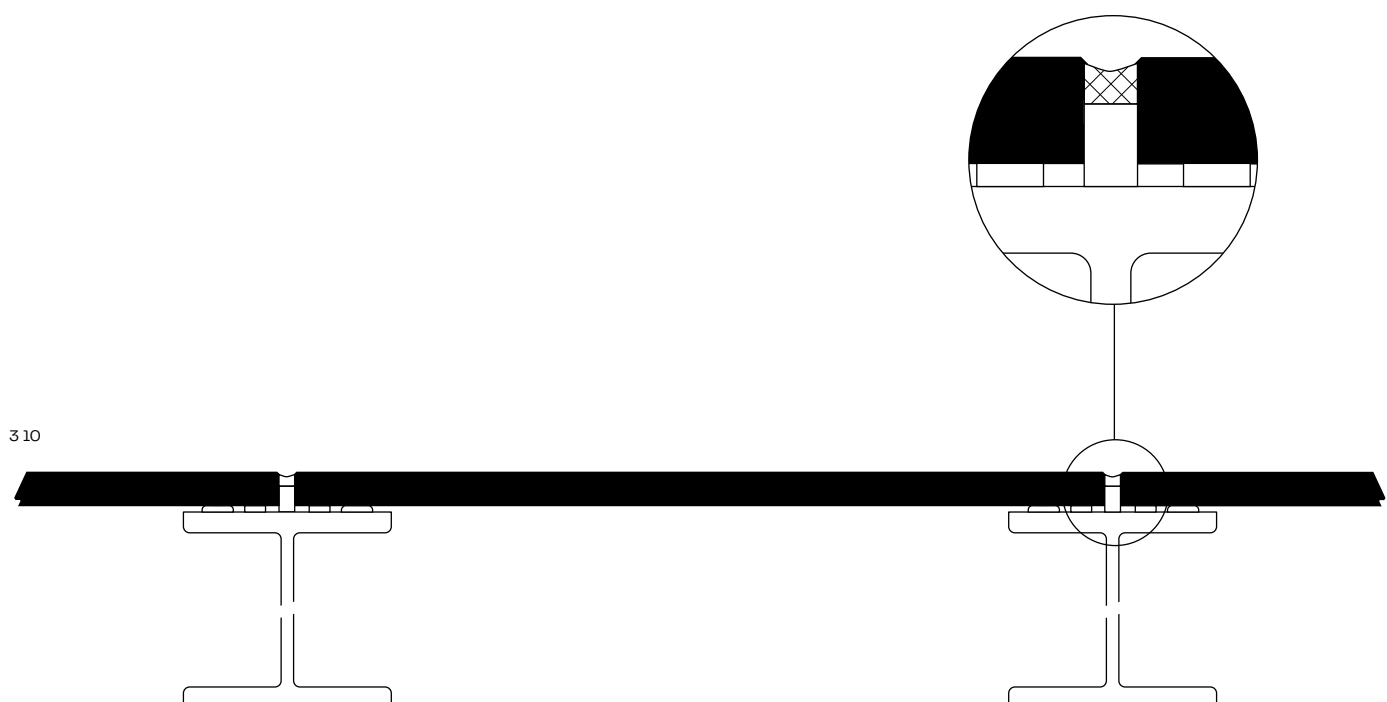
As an alternative to mechanical fastening, it is possible to use specially developed gluing systems from Propart or Innotec. This works on conventional metal substructures.

## Note

Ensure the panel is not subjected to stress when gluing. Take account of the expansion and shrinkage behaviour of Max Compact Exterior panels. The construction supervision authority in Germany does not approve gluing! For the maximum panel size, refer to the approvals of the glue manufacturer; for laying guidelines, refer to the approvals for the relevant gluing system.

**3 09** Balcony floor and steel beam (glued)

**3 10** Balcony panel, invisible fixed (glued) on steel beam



## Physical data and approvals

Properties	Test method	Assessment	Standard value <sup>1</sup>	Typical value <sup>2</sup>
<b>Light-fastness and weather resistance</b>				
Artificial weathering*	EN 438-2:2016, clause 29, 3000 h	EN 20105-A02 grey scale	Contrast: $\geq 3$ , Appearance: $\geq 4$	Contrast: 4-5, Appearance: 5
Resistance to UV light	EN 438-2:2016, clause 28	EN 20105-A02 grey scale	Contrast: $\geq 3$ , Appearance: $\geq 4$	Contrast: 4-5, Appearance: 5
<b>Mechanical properties</b>				
Apparent density	DIN 52328 / EN ISO 1183	g/cm <sup>3</sup>	$\geq 1.35$	1.44
Flexural strength	EN ISO 178	MPa	$\geq 80$	width: 105, length: 170
Elasticity modulus	EN ISO 178	MPa	$\geq 9000$	width: 11000, length: 16000
Tensile strength	EN ISO 527-2	MPa	-	width: 95, length: 140
Resistance to impact with a large diameter ball	EN 438-2:2016, clause. 21	mm	$\leq 10.0$	5.0-6.0
<b>Thermal properties</b>				
Resistance to moisture	EN 438-2:2016, clause 15	%	Mass increase: $\leq 8$	2
Dimensional stability at higher temperatures	EN 438-2:2016, clause 17	%	Length: $\leq 0.30$ , Width: $\leq 0.60$	Length: 0.08, Width: 0.16
Coefficient of thermal expansion	DIN 52328	1/K		$18 \times 10^{-6}$
Thermal conductivity		W/mK		0.3
Water vapour diffusion resistance				approx. 17200 $\mu$
<b>Building material classes</b>				
Europa	EN 13501-1	MA39-VFA VIENNA	EUROCLASS B-s2, d0 for 6.0-13.0 mm**	
Fire behaviour of facades in Austria	ÖNORM B 3800-5	MA39-VFA VIENNA	Approved thicknesses 8.0-13.0 mm	
Switzerland	EN 13501-1	MA39-VFA VIENNA	EUROCLASS B-s2, d0 for 6.0-13.0 mm**	
France	NFP 92501	LNE	M1 for 2.0-10.0 mm	
Spain	UNE 23727-90	LICOF	M1 for 6.0-10.0 mm	
<b>Permits</b>				
Facade permit Germany		Institut für Bautechnik Berlin	6.0, 8.0, 10.0 mm, approval no. Z-10.3-712	
ETB guidelines for structural elements that safeguard against falls, June 1985 (balcony railings).		TU Hannover	Passed (depending on building regulation and railing construction, 6.0, 8.0, 10.0 or 13.0 mm panel thickness)	
Avis Technique France		CSTB	6.0, 8.0, 10.0 and 13.0 mm, wood and metal substructure, approved Avis Technique N° 2/16-1749 Avis Technique N° 2.2/14-1623_V1 Avis Technique N° 2.2/13-1565_V2 Avis Technique N° 2.2/21-1809_V1 Avis Technique N° 2.2/16-1716 Avis Technique N° 2/16-1753 Avis Technique N° 2.2/12-1505*V2	
Winmark		Wintech	A10114	

A gloss degree tolerance of  $\pm 5$  GE applies for the surface NT, measured at 60°. The tolerances information sheet (version 2017-1-16) of the ÖFHF ([www.oefhf.at](http://www.oefhf.at)) applies with regard to colour tolerance.

\* Decor AUTN: artificial weathering EN ISO 4892-2: 1500 h; assessed according to grey scale EN 20105-A02:2

\* Individual decor: artificial weathering EN ISO 4892-2: 3000 h; assessed according to grey scale EN 20105-A02:3

\*\* Exception: Podio balcony panel, EUROCLASS B-s2, d0 (6.0-20.0 mm)

<sup>1</sup> According to EN 438-6

<sup>2</sup> Examples are shown: Fundermax only guarantees compliance with standard values  
Further certificates and approvals: [www.fundermax.at/downloads](http://www.fundermax.at/downloads)

Legal notices:

Please observe all valid building regulations. We accept no responsibility in this regard. Please check whether your construction project meets the requirements for the effective restriction of fire propagation (e.g. OIB-RL 2, DE sample management regulations for technical building regulations MVV TB etc.). This brochure is intended for professionals who are familiar with the relevant standards, technical regulations, legal requirements and guidelines relevant to building products.

While these guidelines have been prepared with great care, we would like to point out that the responsibility for correct planning lies with the planner and the responsibility for correct installation lies with the installer.



**Fundermax Deutschland GmbH**

Industriestraße 1  
D-92442 Wackersdorf  
infoGermany@fundermax.biz  
www.fundermax.de

**Fundermax France S.a.r.l.**

3 Cours Albert Thomas  
F-69003 Lyon  
Tel.: +33 (0)4 78 68 28 31  
infoFrance@fundermax.biz  
www.fundermax.fr

**Fundermax India Pvt. Ltd.**

Sy. No. 7, Honnenahalli, Doddballapur Road,  
IND-Yelahanka Hobli, Bangalore – 560064  
officeIndia@fundermax.biz  
www.fundermax.in

**Fundermax Italia s.r.l.**

Viale Venezia 22  
I-33052 Cervignano del Friuli  
infoItaly@fundermax.biz  
www.fundermax.it

**Fundermax North America, Inc.**

9401-P Southern Pine Blvd.  
US-Charlotte, NC 28273  
Tel: +1 (0)980 299 00 35  
office.america@fundermax.biz  
www.fundermax.us

**Fundermax Polska Sp.z.o.o.**

ul. Rybitwy 12  
PL-30 722 Kraków  
Tel: +48 (0)12 65 34 528  
infoland@fundermax.biz

**Fundermax Russia Show:room**

of.203, bld.2, 10, Nizhnyaya  
Syromyatnicheskaya str.  
RU-Moscow, 105120  
Tel: +7 (0)499 130 30 94  
fundermax.ru@fundermax.biz  
www.fundermax.ru

**Fundermax Swiss AG**

Industriestrasse 38  
CH-5314 Kleindöttingen  
Tel: +41 (0)56 268 83 11  
infoswiss@fundermax.biz  
www.fundermax.ch

**Fundermax GmbH**

**Klagenfurter Straße 87-89, A-9300 St. Veit/Glan**

**T: +43 (0)5 9494-0, F: +43 (0)5 9494-4200**

**office@fundermax.at**

**www.fundermax.at**