

view of cladding

	Content
A 110	horizontal section gap
A 104	window - reveal
A 105	external corner
A 106	internal corner
A 108	vertical section
A 103	base detail
A 107	vertical section
A 102	window - sill
A 101	window - lintel
A 109	head detail
Zust.	Änderung Datum Name (Urspr.)

view of cladding

MAX Exterior Modulo ME05

(Ers. f.): | (Ers. d.: 2015/11)

1 2 3 4

A

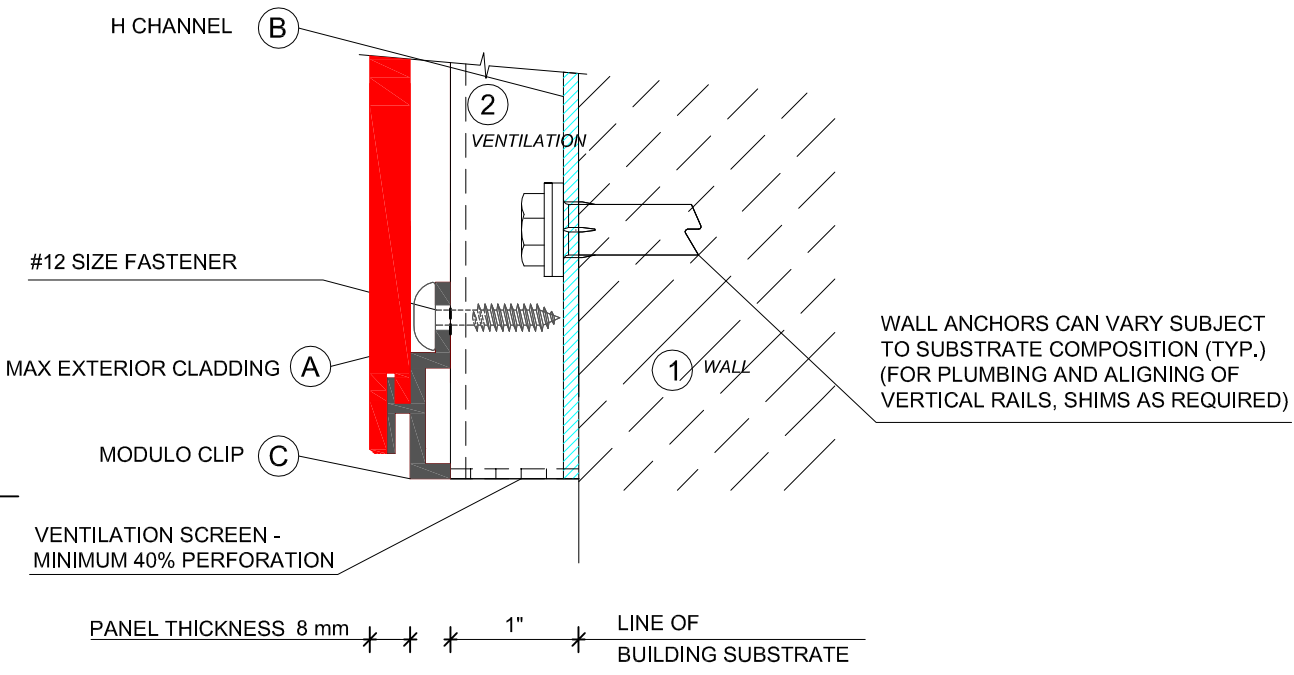
B

C

D

E

F



A	MAX Exterior panel
B	h profile
C	Modulo clip
1	rear ventilation
2	rear ventilation

Window head detail A101

MAX Exterior Modulo ME05

1 2 3 4

A

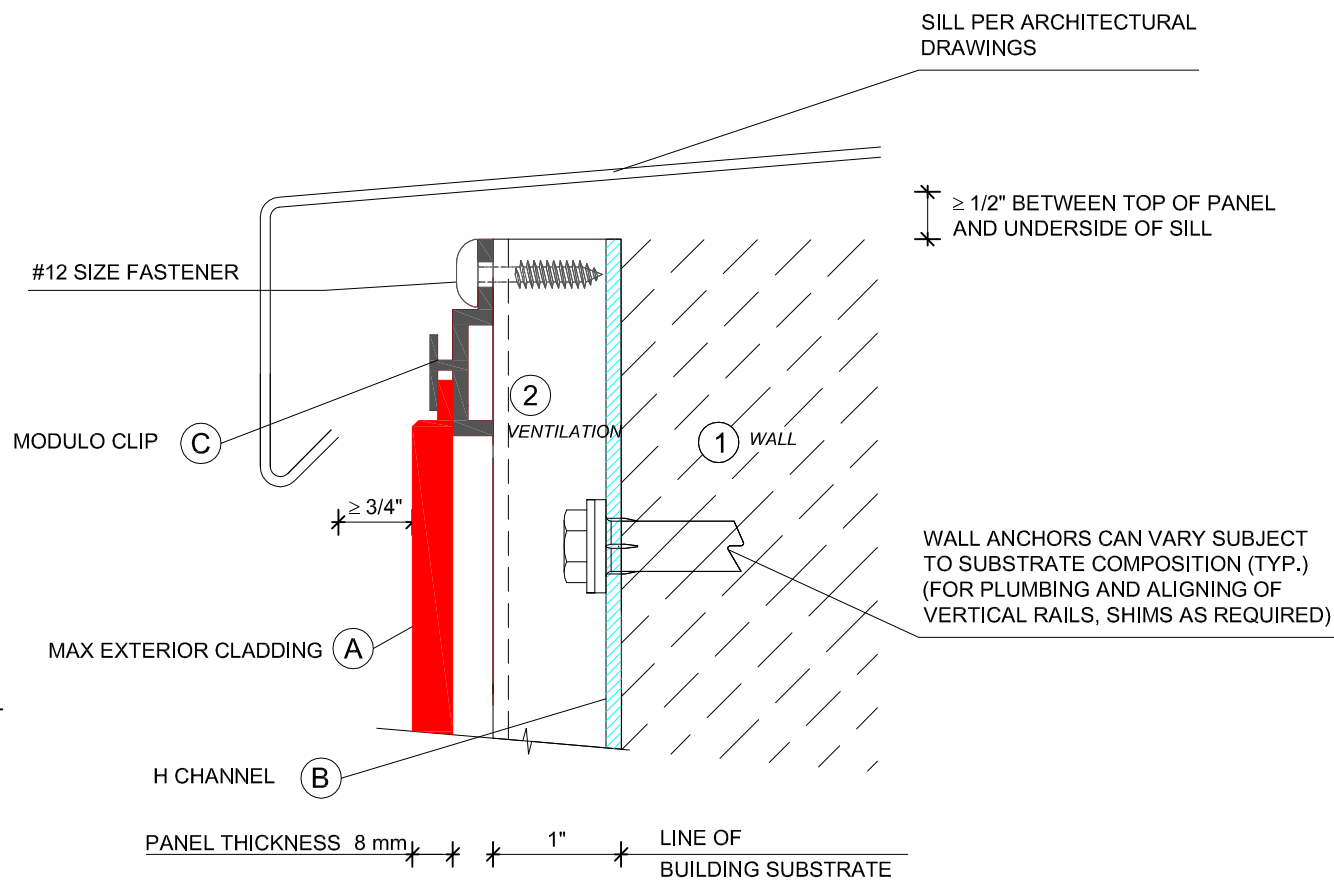
B

C

D

E

F



A	MAX Exterior panel
B	h profile
C	Modulo clip
1	wall
2	rear ventilation

Window sill detail A102.1

MAX Exterior Modulo ME05

1 2 3 4

A

B

C

D

E

F

SILL PER ARCHITECTURAL DRAWINGS

≥ 1/2" BETWEEN TOP OF PANEL AND UNDERSIDE OF SILL

COLOR MATCHED SCREWS FOLLOW MANUFACTURER'S RECOMMENDATIONS FOR FIXED/SLIDING POINTS AND FASTENER SPACING REQUIRED (TYP.)

≥ 3/4"

2

VENTILATION

1

WALL

WALL ANCHORS CAN VARY SUBJECT TO SUBSTRATE COMPOSITION (TYP.) (FOR PLUMBING AND ALIGNING OF VERTICAL RAILS, SHIMS AS REQUIRED)

MAX EXTERIOR CLADDING (A)

H CHANNEL (B)

PANEL THICKNESS 8 mm 1" LINE OF BUILDING SUBSTRATE

A	MAX Exterior panel
B	h profile
1	wall
2	rear ventilation

Window sill detail A102.2

Zust	Änderung	Datum	Name (Urspr.)
------	----------	-------	---------------

MAX Exterior Modulo ME05

(Ers. f.): | (Ers. d.): 2015/11

1 2 3 4

A

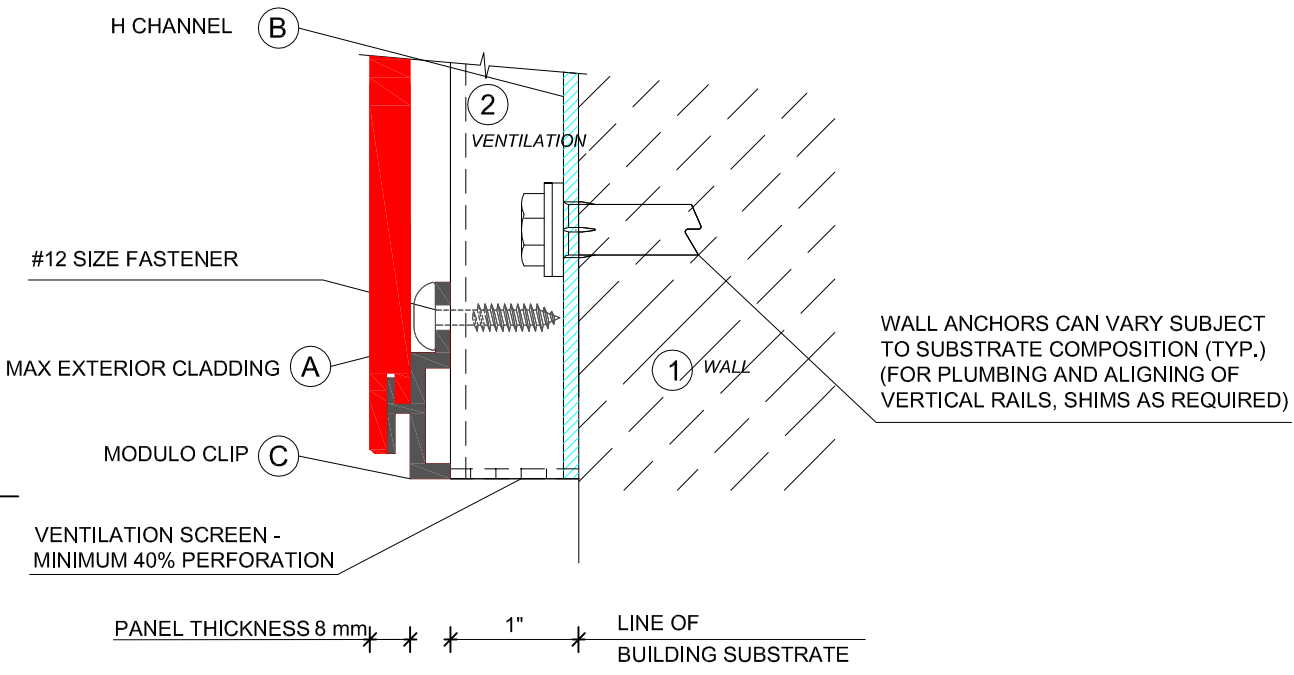
B

C

D

E

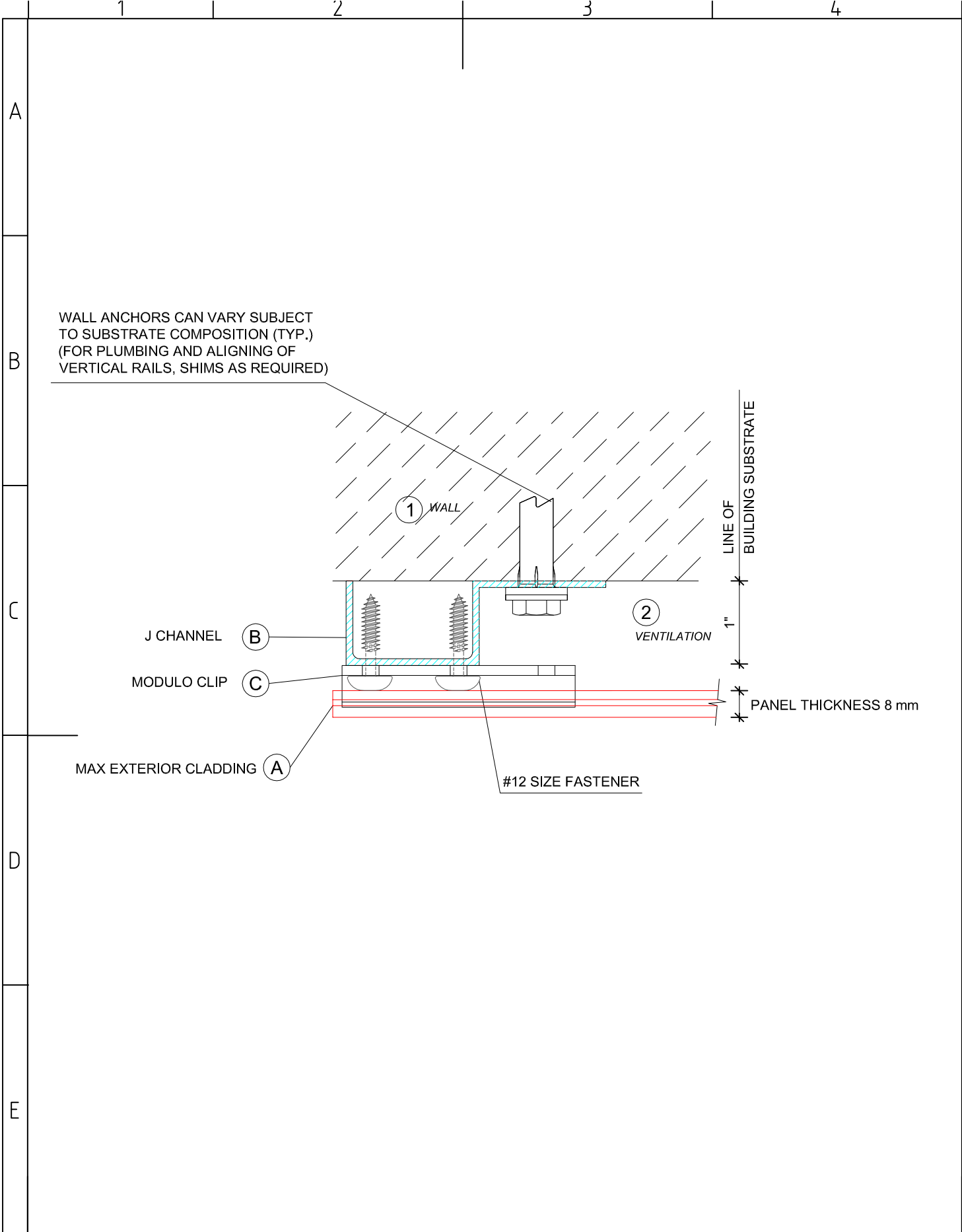
F



A	MAX Exterior panel
B	h profile
C	Modulo clip
1	rear ventilation
2	rear ventilation

Base of wall detail A103

MAX Exterior Modulo ME05

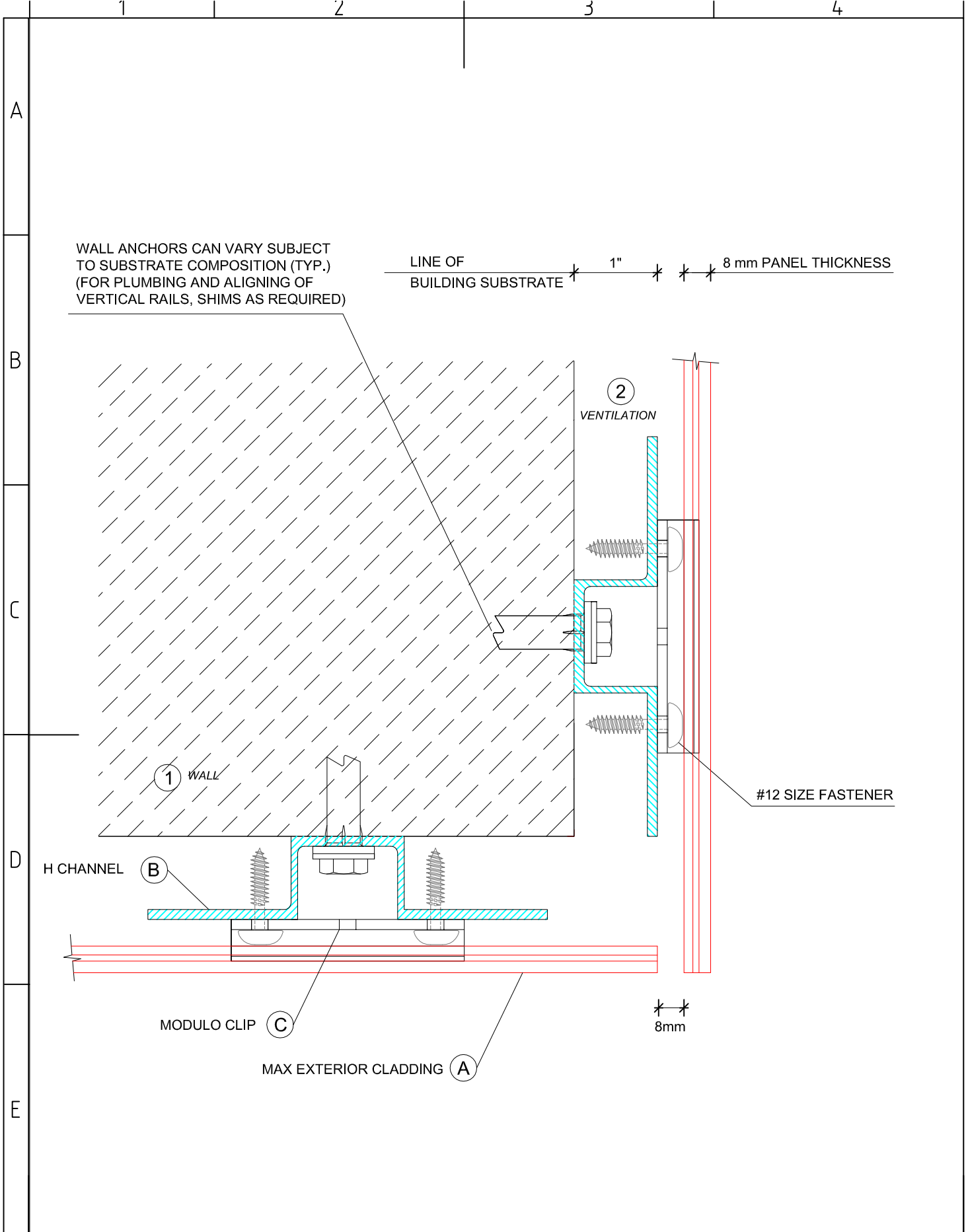


A	MAX Exterior panel
B	J profile
C	Modulo clip
1	wall
2	rear ventilation
F	
Zust	Änderung Datum Name (Urspr.)

Wall termination & window jamb detail A104

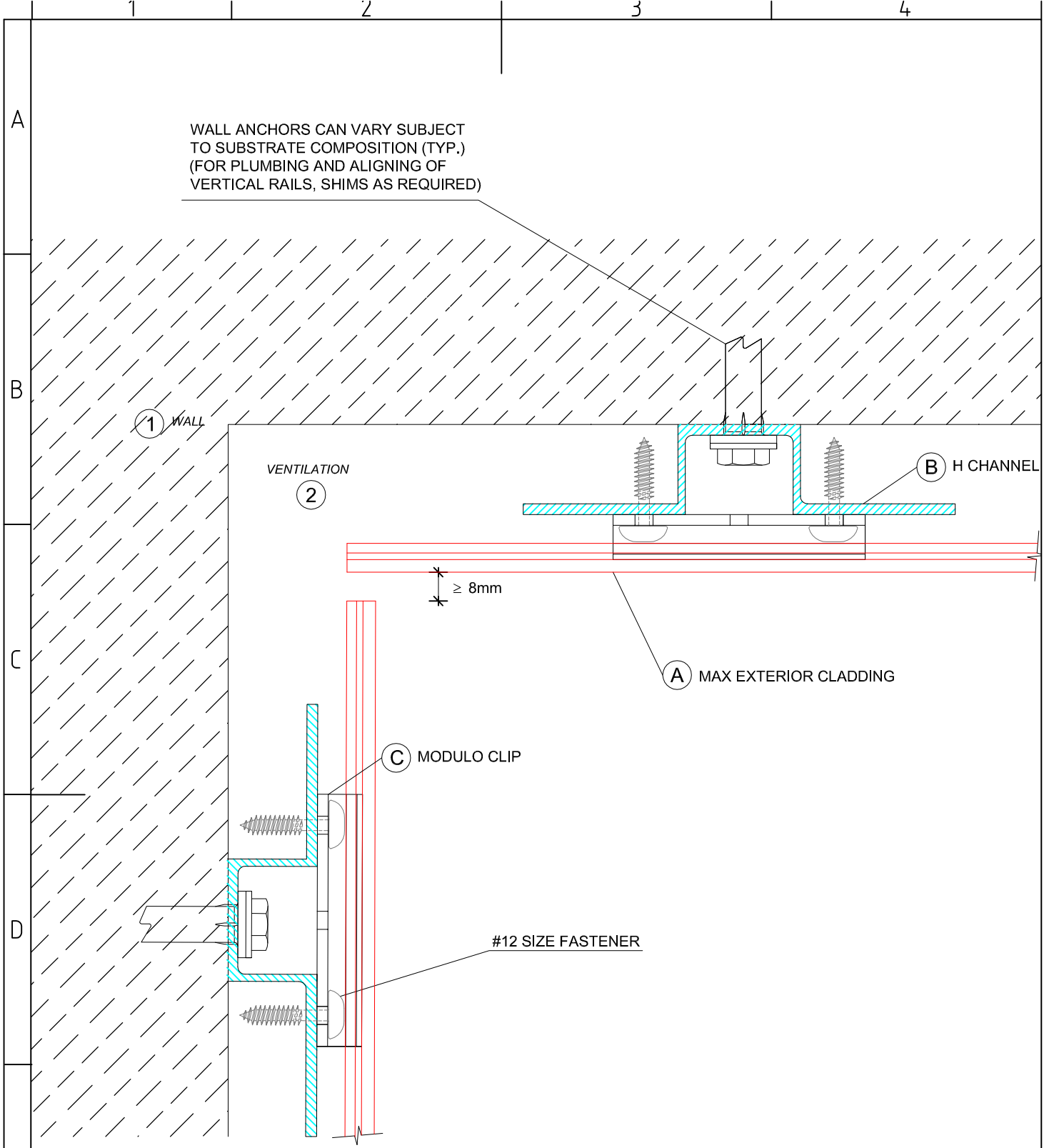
MAX Exterior Modulo ME05

(Ers. f.): (Ers. d.): 2015/11



F	A	MAX Exterior panel
	B	h profile
	C	Modulo clip
	1	wall
	2	rear ventilation
Zust	Änderung	Datum Name (Urspr.)

Outside corner detail A105	
MAX Exterior Modulo ME05	
(Ers. f.:)	(Ers. d.:) 2015/11



F	A	MAX Exterior panel
	B	h profile
	C	Modulo clip
	1	wall
	2	rear ventilation
Zust	Änderung	Datum Name (Urspr.)

Inside corner detail A106

MAX Exterior Modulo ME05

(Ers. f.) (Ers. d.) 2015/11

1 2 3 4

A

B

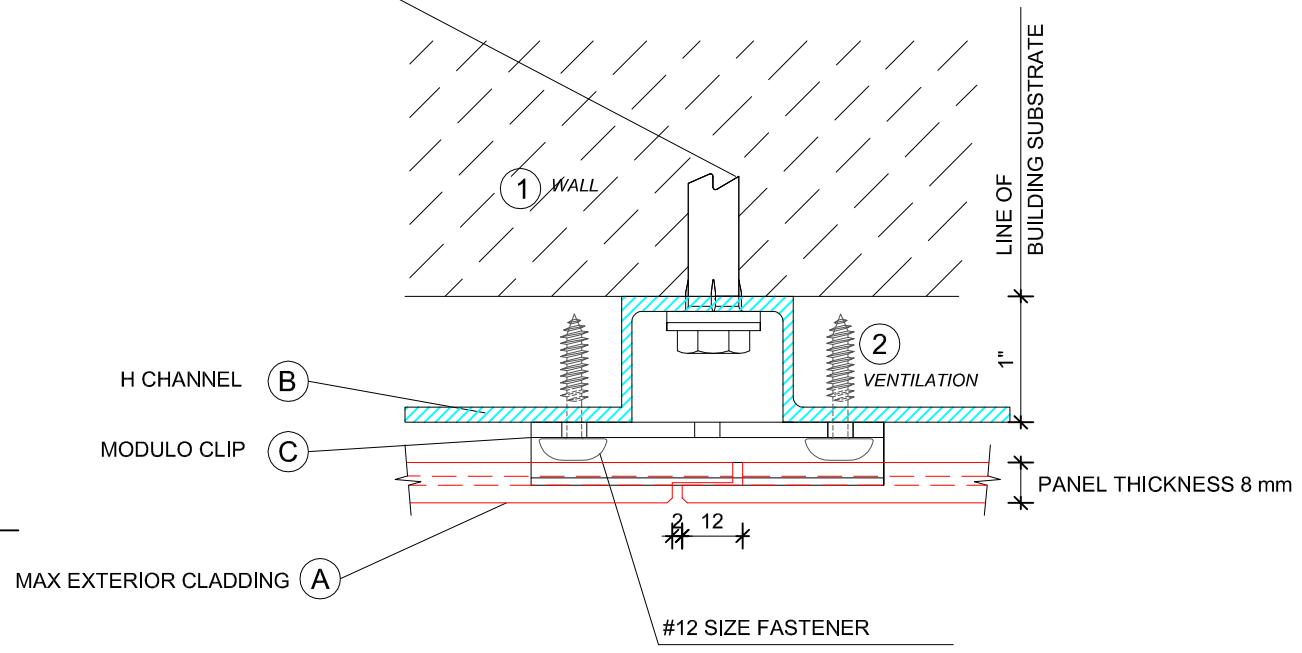
C

D

E

F

WALL ANCHORS CAN VARY SUBJECT TO SUBSTRATE COMPOSITION (TYP.) (FOR PLUMBING AND ALIGNING OF VERTICAL RAILS, SHIMS AS REQUIRED)



A	MAX Exterior panel
B	h profile
C	Modulo clip
1	wall
2	rear ventilation

Vertical panel joint detail
A107

MAX Exterior Modulo ME05

1 2 3 4

A

B

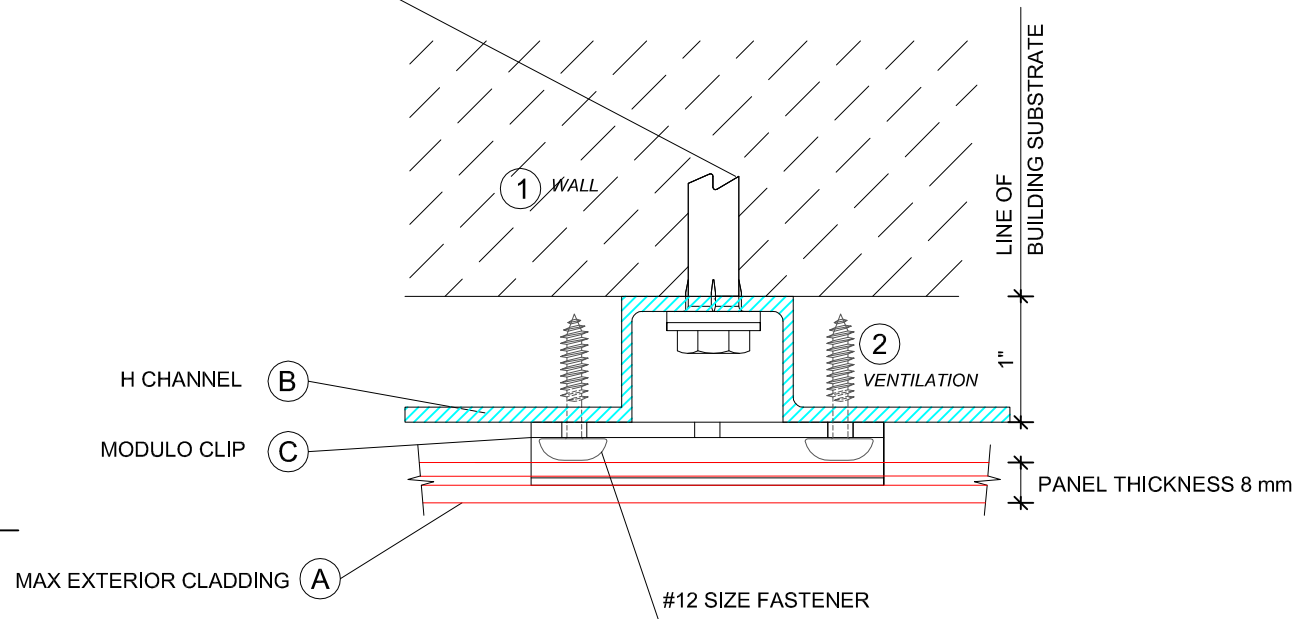
C

D

E

F

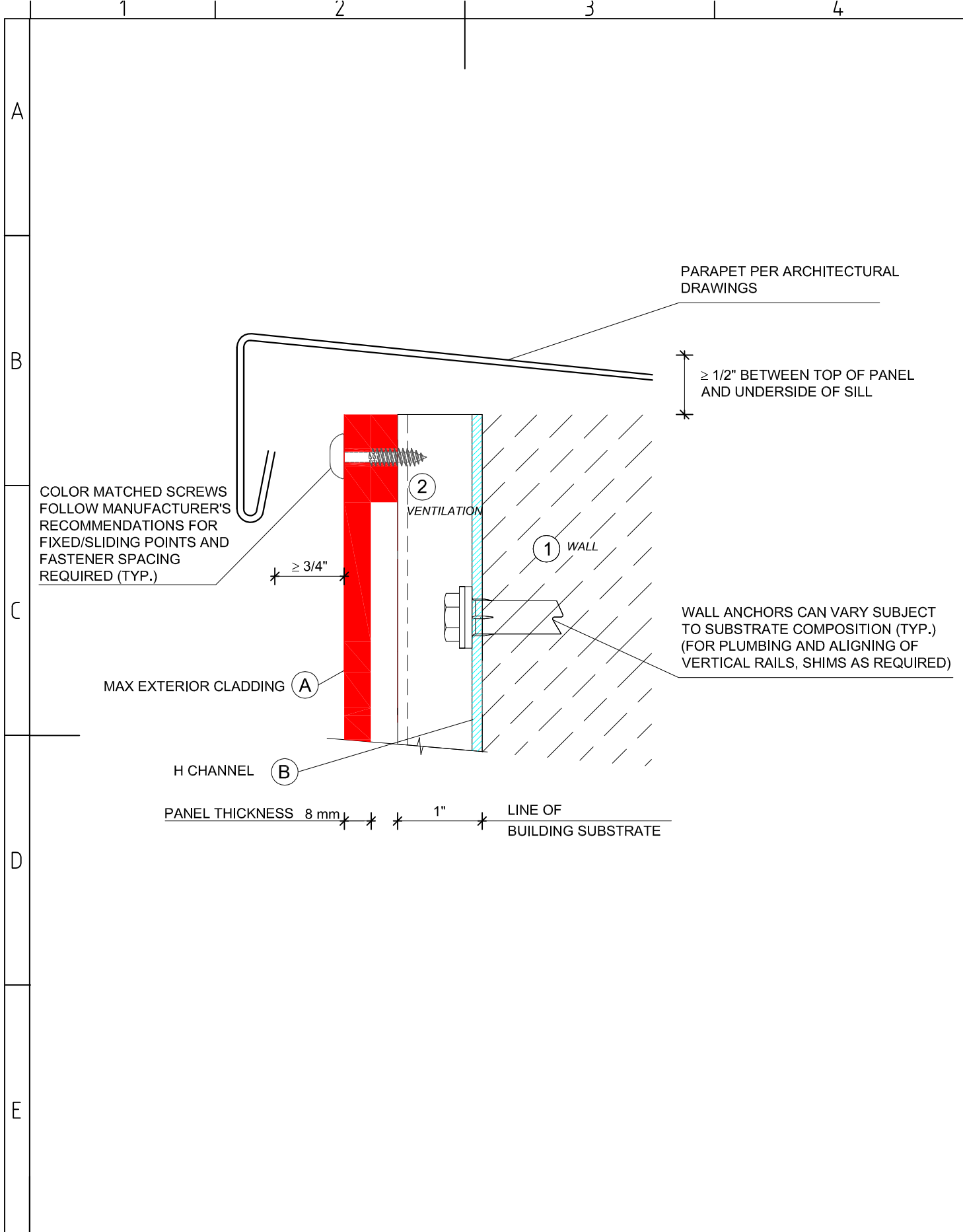
WALL ANCHORS CAN VARY SUBJECT TO SUBSTRATE COMPOSITION (TYP.) (FOR PLUMBING AND ALIGNING OF VERTICAL RAILS, SHIMS AS REQUIRED)



A	MAX Exterior panel
B	h profile
C	Modulo clip
1	wall
2	rear ventilation

Intermediate support detail
A108

MAX Exterior Modulo ME05



COLOR MATCHED SCREWS FOLLOW MANUFACTURER'S RECOMMENDATIONS FOR FIXED/SLIDING POINTS AND FASTENER SPACING REQUIRED (TYP.)

PARAPET PER ARCHITECTURAL DRAWINGS

≥ 1/2" BETWEEN TOP OF PANEL AND UNDERSIDE OF SILL

WALL ANCHORS CAN VARY SUBJECT TO SUBSTRATE COMPOSITION (TYP.) (FOR PLUMBING AND ALIGNING OF VERTICAL RAILS, SHIMS AS REQUIRED)

MAX EXTERIOR CLADDING (A)

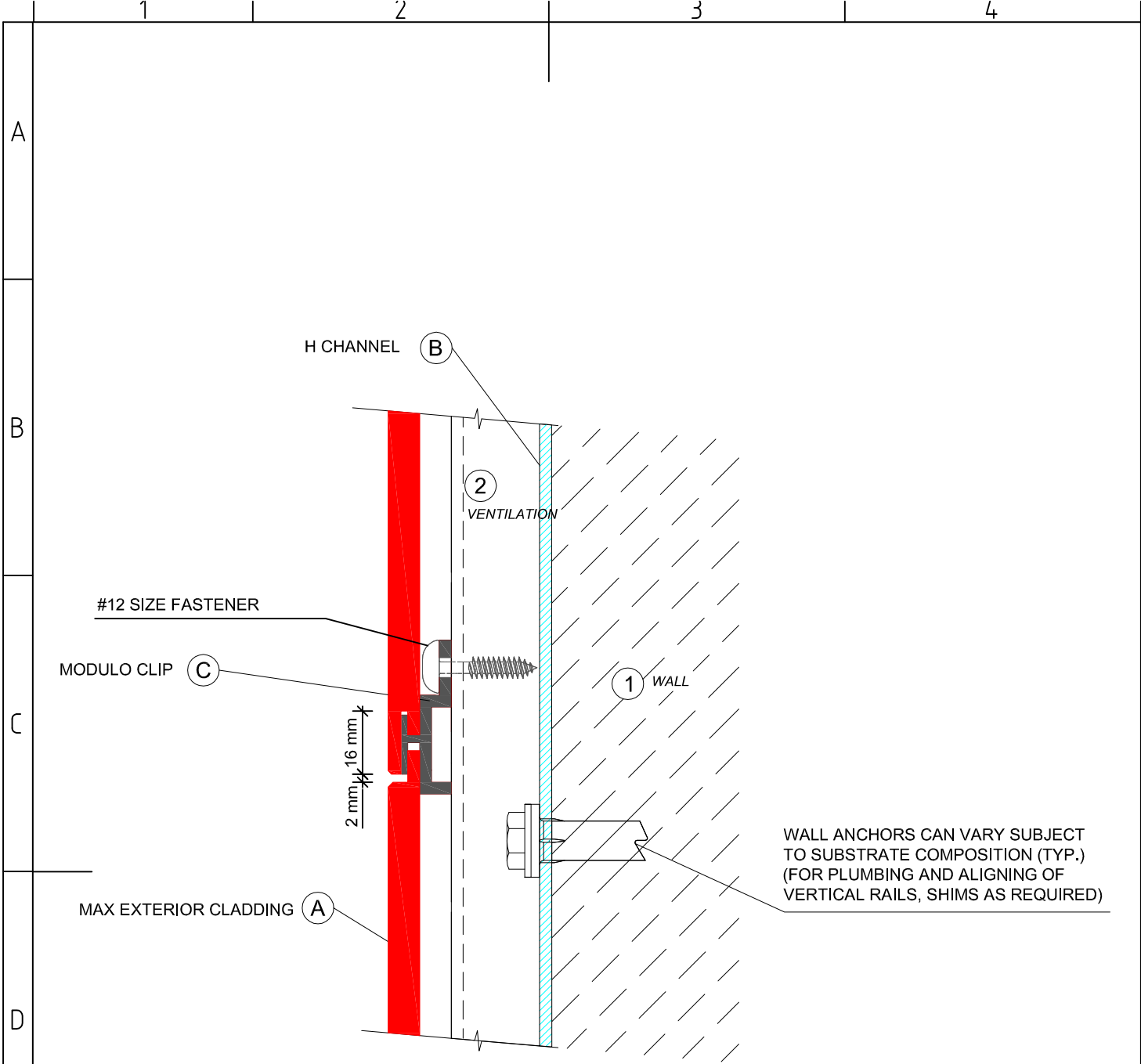
H CHANNEL (B)

PANEL THICKNESS 8 mm 1" LINE OF BUILDING SUBSTRATE

A	MAX Exterior panel
B	h profile
C	Modulo clip
1	wall
2	rear ventilation
F	

Top of wall detail A109

MAX Exterior Modulo ME05



WALL ANCHORS CAN VARY SUBJECT TO SUBSTRATE COMPOSITION (TYP.) (FOR PLUMBING AND ALIGNING OF VERTICAL RAILS, SHIMS AS REQUIRED)

PANEL THICKNESS 8 mm 1" LINE OF BUILDING SUBSTRATE

A	MAX Exterior panel
B	h profile
C	Modulo clip
1	wall
2	rear ventilation
F	
Zust	Änderung Datum Name (Urspr.)

Horizontal joint detail A110

MAX Exterior Modulo ME05

(Ers. f.): (Ers. d.): 2015/11

1

2

3

4

A

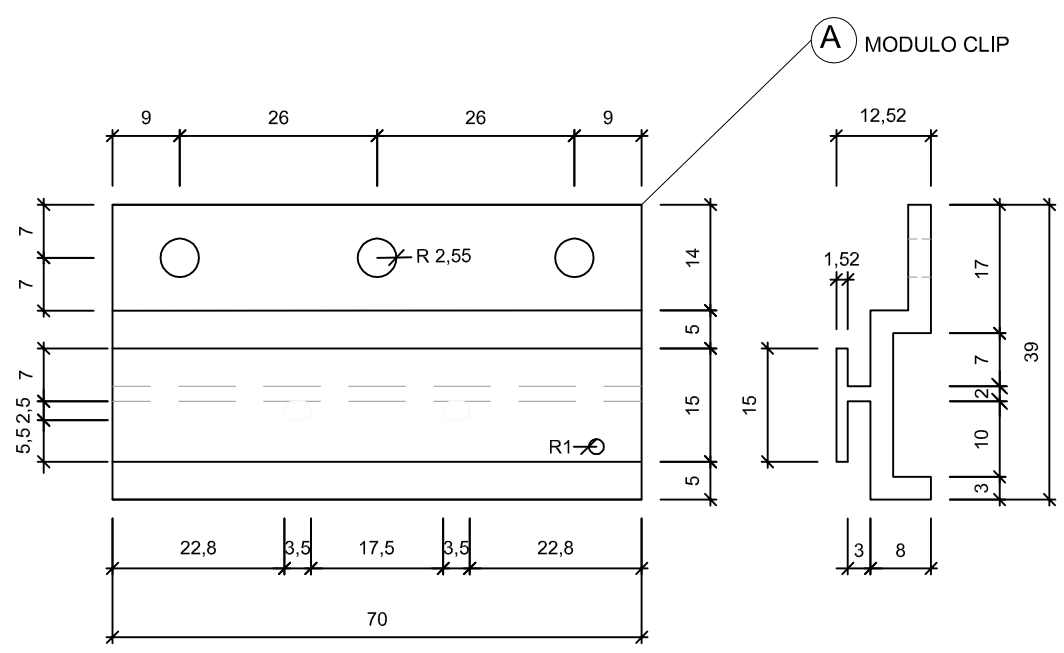
B

C

D

E

F



A MODULO CLIP

A	Modulo clip

Modulo clip

MAX Exterior Modulo ME05

1 2 3 4

A

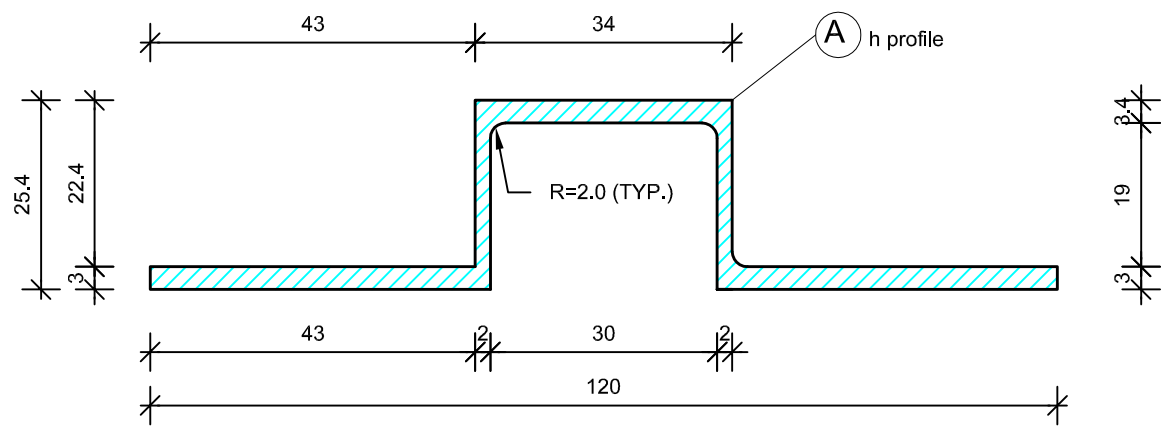
B

C

D

E

F



6063 T-5
 EXTRUDED ALUMINUM
 H PROFILE
 LENGTH: 10FT.
 WEIGHT: 0.88 LBS/FT.

DS=20

A	h profile	H channel	
		MAX Exterior Modulo ME05	
Zust	Änderung Datum Name (Urspr.)	(Ers. f.):	(Ers. d.): 2015/11